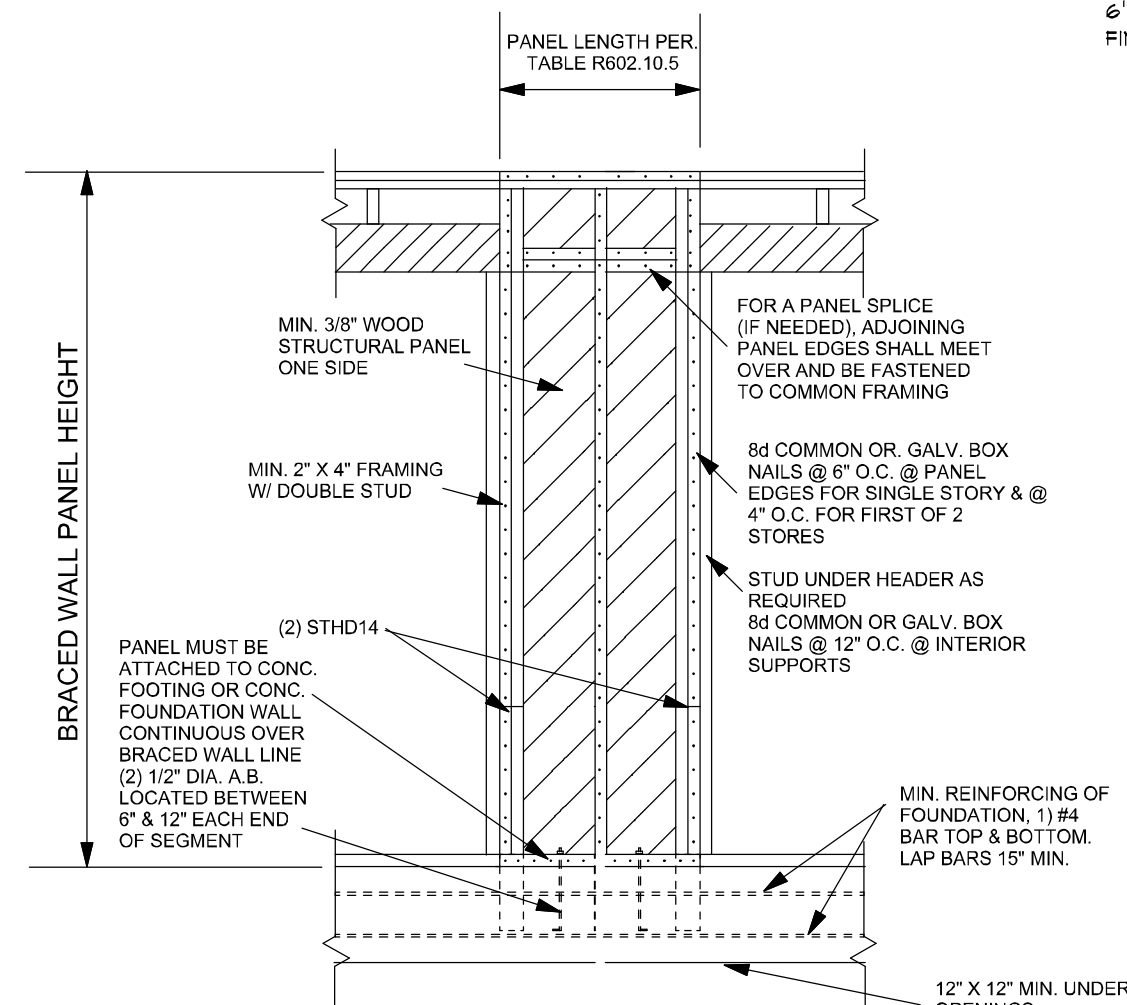


BRACED WALL PANELS		
INDEX	MATERIAL	FASTENERS
1	BUWP PER R602.10.2 R602.10.4 TABLE R602.10.4 MIN. 3/8" WOOD PANEL, 48" IN LENGTH	6d COMMON 6" EDGES/12" FIELD
2	ABUWP PER R602.10.6.1 TABLE R602.10.5 BL-KD @ ALL EDGES	8d COMMON 6" EDGES/12" FIELD
3	1/2" GYP. BOARD, STUD MAX 24" O.C., 48" IN LENGTH BOTH SIDES 96" IN LENGTH ONE SIDE	NAIL 1" O.C. SPEC. R602.3(1) A
4	PER R602.10.6 CONSTRUCTION OF METHODS ABU, PFH, FFG, C9-PF AND BV-WBP	8d COMMON 6" EDGES/12" FIELD
5	3/8" OSB X 4'-0" 6d 4" O.C. EDGES 8" O.C. IN THE FIELD	5THD14

- ALL WINDOW AND DOOR HEADERS ON LOAD BEARING WALLS TO BE (2) 2" X 12" NAILED TOGETHER OR EQUIVALENT UNLESS NOTED OTHERWISE.
- BATHROOM WINDOWS TEMPERED IF LOWER THAN 60 INCHES FROM FINISH SHOWER FLOOR (PER R 308.4.5 2012 IRC.)
- PROVIDE MIN. 100 SQUARE INCHES OF MAKEUP AIR FOR DRYER (PER G2439.4 (614.5) 2012 IRC.)
- FIRE BLOCKING SHALL COMPLY WITH IRC SECTION R602.8
- ALL SILLS AND SOLE PLATES SHALL BE PRESSURE TREATED OR FOUNDATION GRADE REDWOOD, IRC SECTION R403.1.6
- CEMENT, FIBER-CEMENT AN GLASS MAT GYPSUM BACKERS SHALL BE USED AS BACKERS FOR WALL TILE IN TUB AND SHOWER AREAS AND WALL PANELS IN SHOWER AREAS, SUCH WALL SURFACES SHALL EXTEND TO A HEIGHT OF NOT LESS THAN 6 FEET ABOVE FLOOR. R102.4.2 R307.2

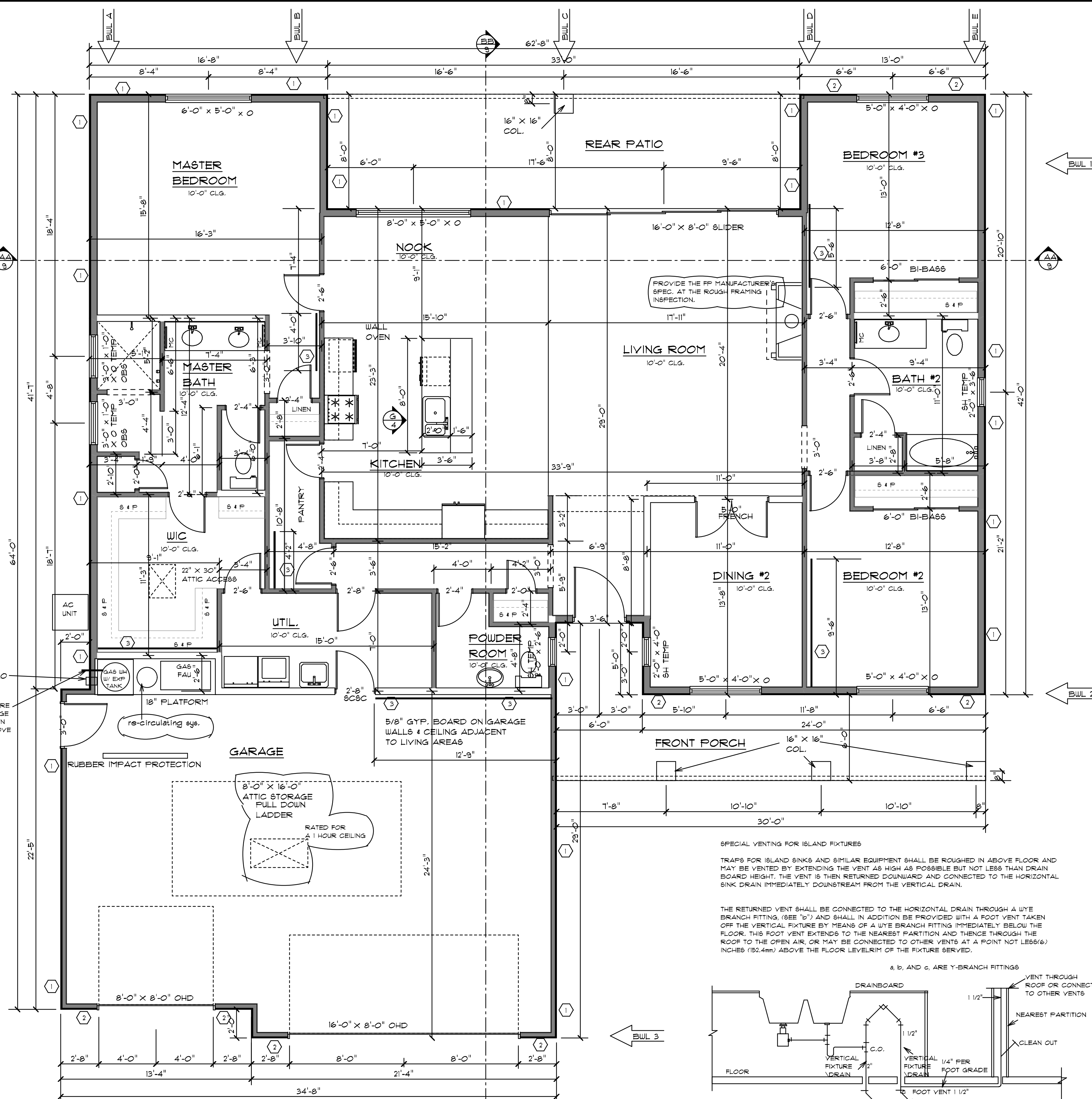
50 SQ INCHES COMBUSTION AIR HI/LO

TEMPERATURE AND PRESSURE RELEASE VALVE DISCHARGE TO AN APPROVED LOCATION 6" MIN. AND 24" MAX. ABOVE FINISHED GRADE



4 ALTERNATE BRACED WALL PANEL

SCALE: NOT TO SCALE



4 FLOOR PLAN

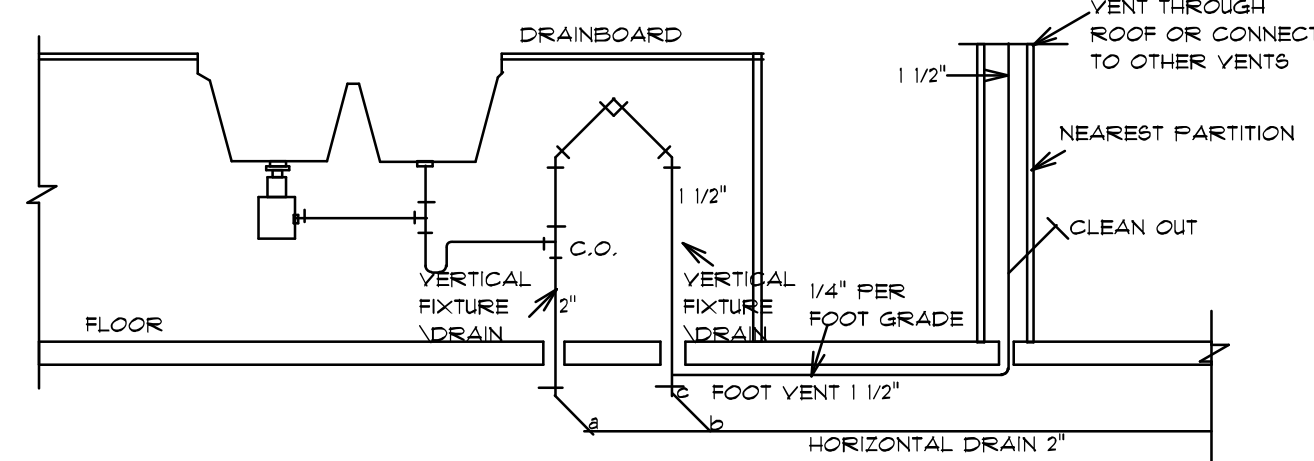
SCALE: 1/4" = 1'-0"

SPECIAL VENTING FOR ISLAND FIXTURES

TRAPS FOR ISLAND SINKS AND SIMILAR EQUIPMENT SHALL BE ROUGHED IN ABOVE FLOOR AND MAY BE VENTED BY EXTENDING THE VENT AS HIGH AS POSSIBLE BUT NOT LESS THAN DRAIN BOARD HEIGHT. THE VENT IS THEN RETURNED DOWNWARD AND CONNECTED TO THE HORIZONTAL SINK DRAIN IMMEDIATELY DOWNSTREAM FROM THE VERTICAL DRAIN.

THE RETURNED VENT SHALL BE CONNECTED TO THE HORIZONTAL DRAIN THROUGH A WYE BRANCH FITTING (SEE 'b') AND SHALL IN ADDITION BE PROVIDED WITH A FOOT VENT TAKEN OFF THE VERTICAL FIXTURE BY MEANS OF A WYE BRANCH FITTING IMMEDIATELY BELOW THE FLOOR. THIS FOOT VENT EXTENDS TO THE NEAREST PARTITION AND THENCE THROUGH THE ROOF TO THE OPEN AIR, OR MAY BE CONNECTED TO OTHER VENTS AT A POINT NOT LESS THAN 1/2" INCHES (12.7mm) ABOVE THE FLOOR LEVEL IN THE FIXTURE SERVED.

a, b, AND c ARE Y-BRANCH FITTINGS



G VENTING FOR ISLAND FIXTURES

SCALE: NOT TO SCALE

REVISION	BY

DUNN RESIDENCE 2315 SQFT LIVABLE
EDGEWOOD CONSTRUCTION



DRAWN BY
BYB
CHECKED BY
DATE

May 27, 2018
SCALE SHEET
JOB 4
OF 13